

4

3

2

1

THIS DRAWING IS UNPUBLISHED.

RELEASED FOR PUBLICATION

20

© COPYRIGHT 20

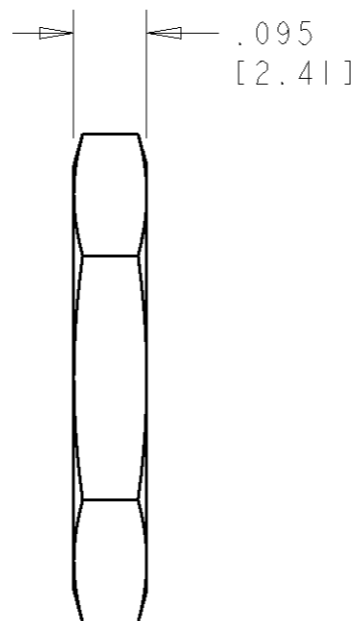
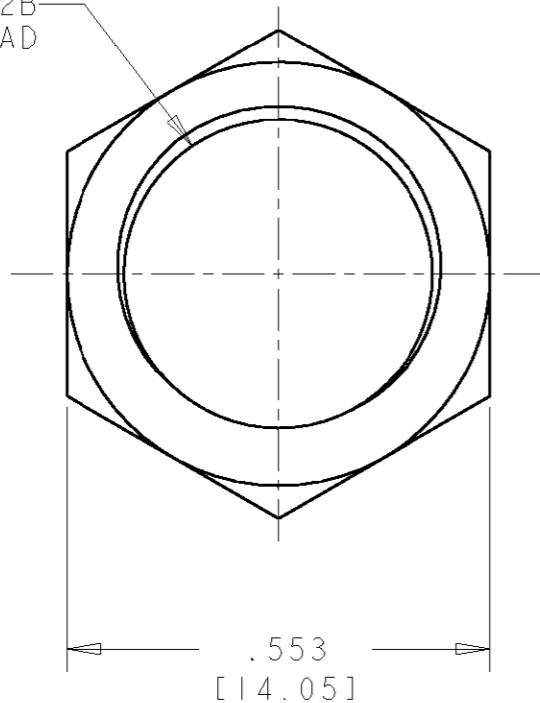
BY TYCO ELECTRONICS CORPORATION. ALL RIGHTS RESERVED.

LOC	DIST
FT	0

REVISIONS

P	LTR	DESCRIPTION	DATE	DWN	APVD
	A	RELEASED EC 0G3B-0362-03	18JUL2003	SW	HW

7/16-28 UNEF-2B
THREAD



1. BULK PACKAGED IN QTY OF 100.

1604197-1

PART NUMBER

<small>THIS DRAWING IS A CONTROLLED DOCUMENT FOR TYCO ELECTRONICS CORPORATION IT IS SUBJECT TO CHANGE AND THE CONTROLLING ENGINEERING ORGANIZATION SHOULD BE CONTACTED FOR THE LATEST REVISION.</small>		DWN	S WIEST	18JUN2002	Tyco Electronics Harrisburg, PA 17105-3608
DIMENSIONS: in [mm]		CHK	G DOUTY	18JUN2002	
		APVD	H WAKFEM	18JUL2003	
TOLERANCES UNLESS OTHERWISE SPECIFIED: 0 PLC ±- 1 PLC ±- 2 PLC ±- 3 PLC ±- 4 PLC ±- ANGLES ±-		PRODUCT SPEC		NAME	
MATERIAL -		FINISH -		-	
		APPLICATION SPEC		-	
		WEIGHT -		-	
		CUSTOMER DRAWING		SIZE	RESTRICTED TO
				A3	-
				CAGE CODE	
				00779	
				DRAWING NO	
				C-1604197	
				SCALE	
				4:1	
				SHEET	
				1	
				OF	
				1	
				REV	
				A	